



DODGE RAM

Front Splashguards

Front Right

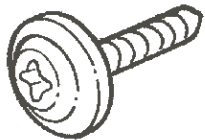


A

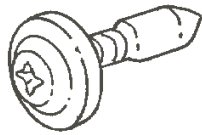
Front Left



B



C 2X



D 2X



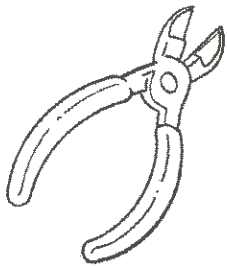
E 2X



F 2X



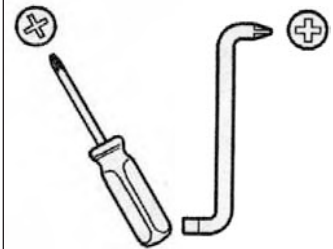
G 2X



3/32" (2.5 mm)

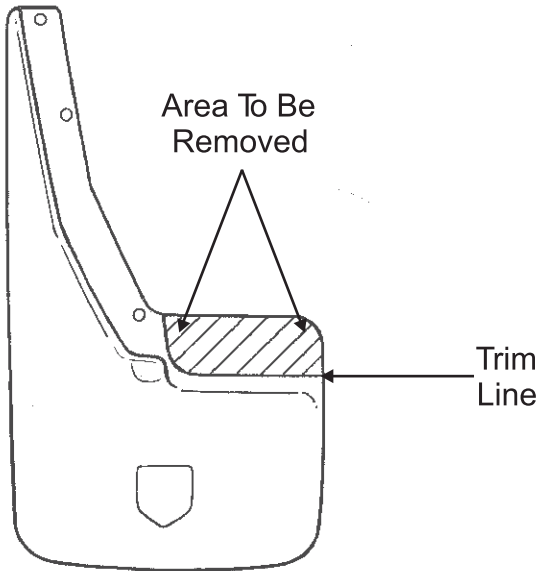


8mm Socket/Driver



#2 & 3

FOR 2500 & 3500 SERIES TRUCKS,
REMOVE MARKED AREA

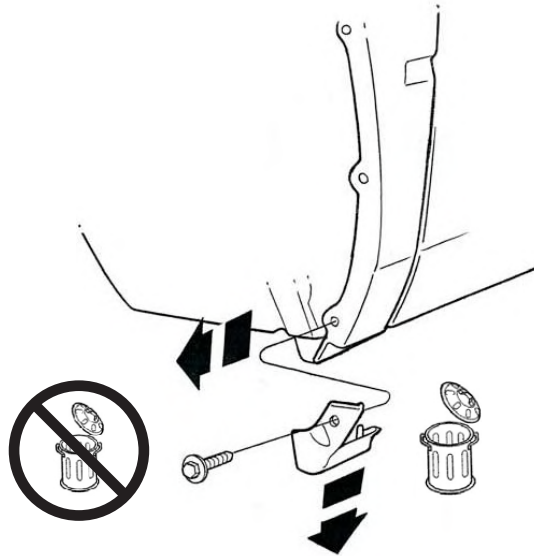


1

**NOTE: DO NOT TRIM FOR
1500 SERIES TRUCK**

1500

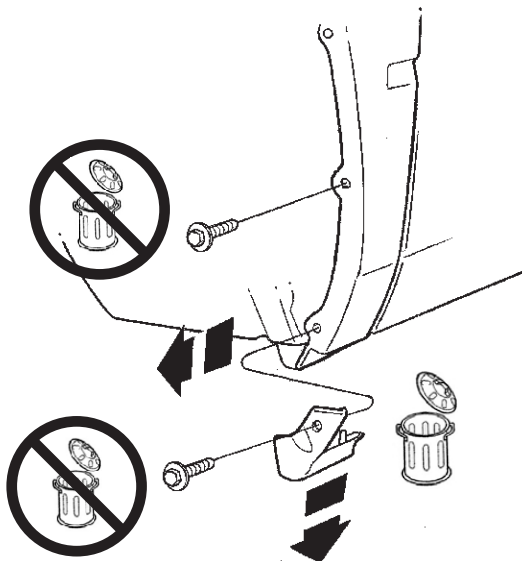
PRIOR MID DEC 2010



2A

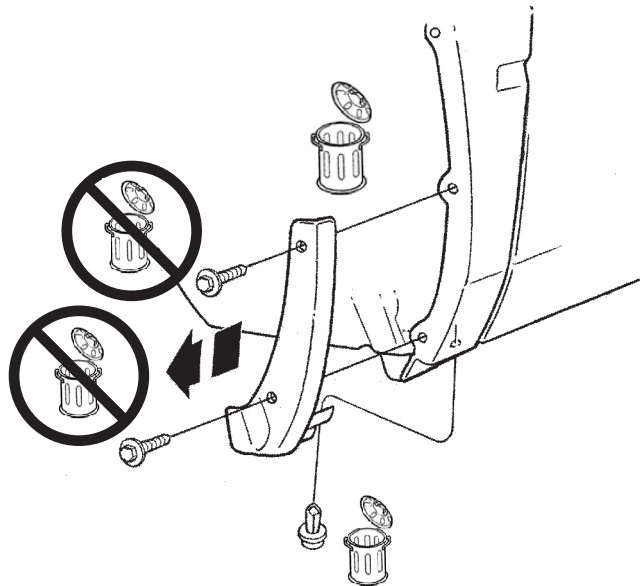
2500 & 3500

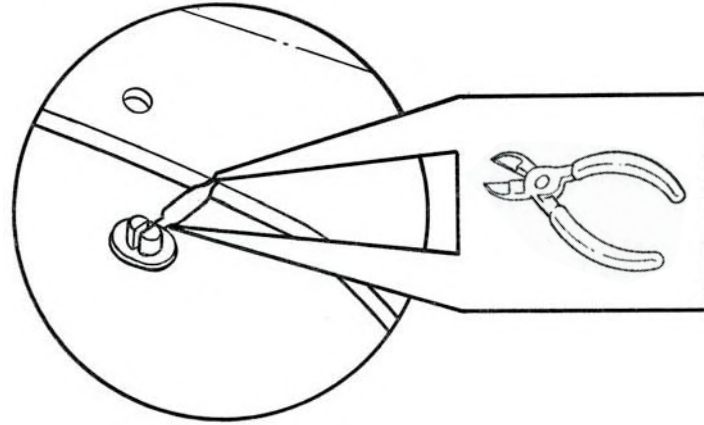
PRIOR MID DEC 2010



2B

AFTER MID DEC 2010

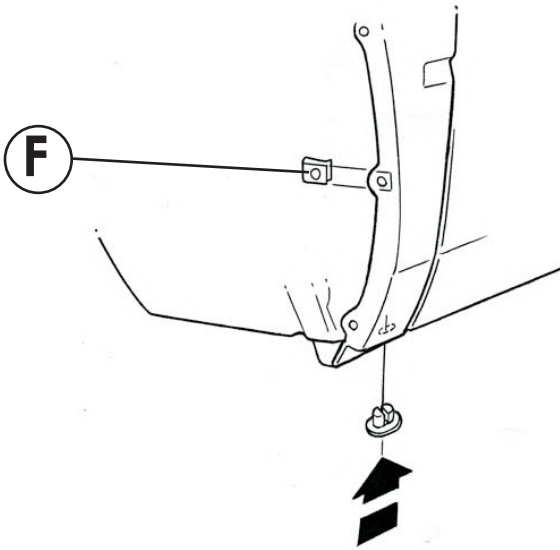




3

1500

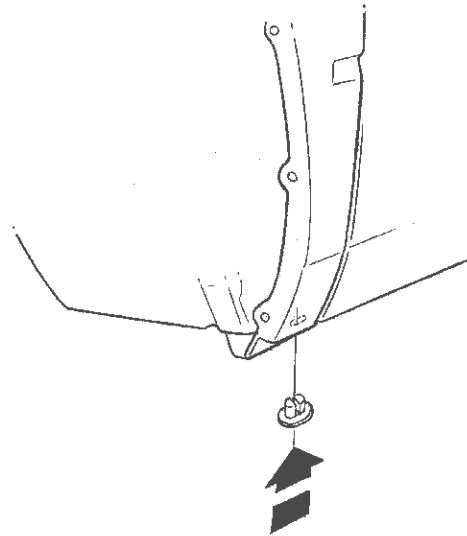
PRIOR MID DEC 2010



4A

2500 & 3500

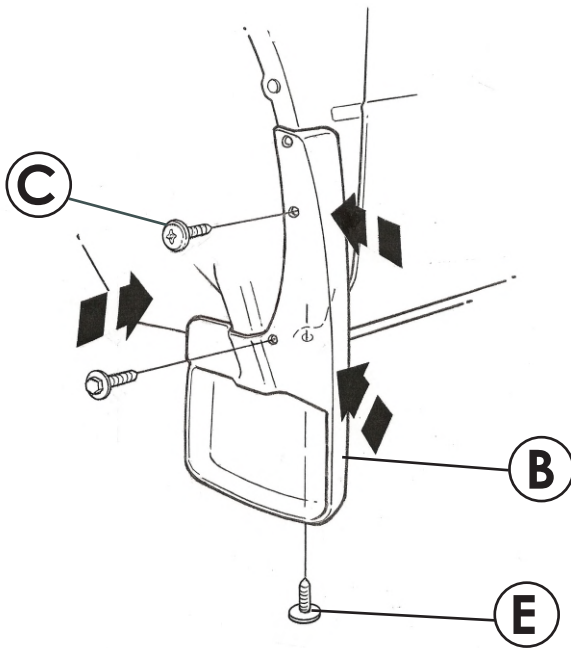
PRIOR MID DEC 2010



4B

1500

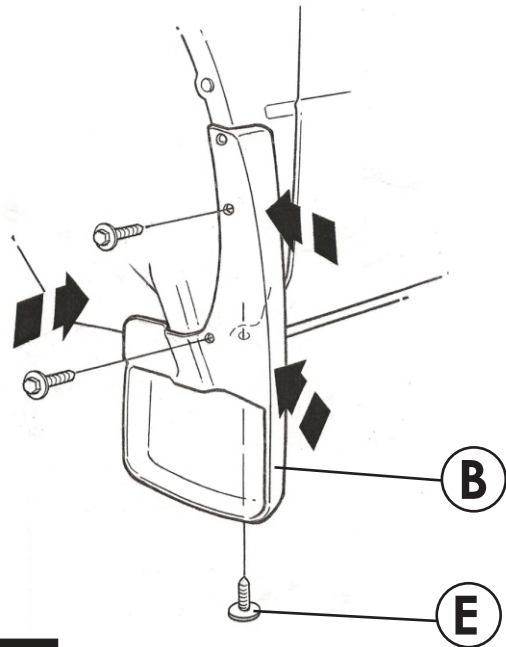
PRIOR MID DEC 2010



5A

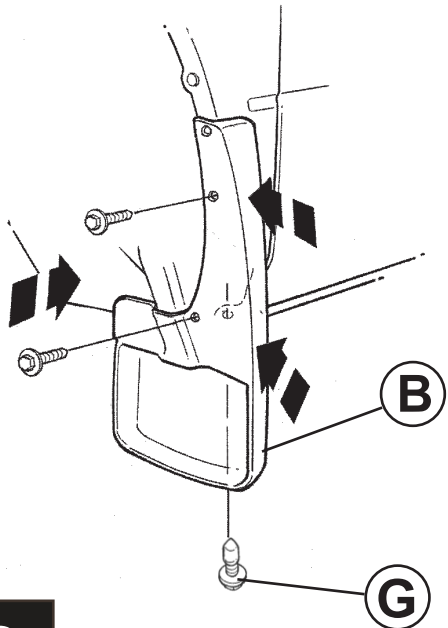
2500 & 3500

PRIOR MID DEC 2010

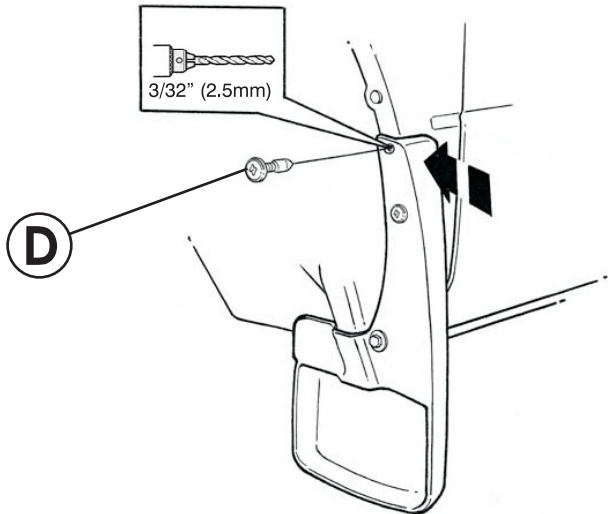


5B

AFTER MID DEC 2010



5C



6